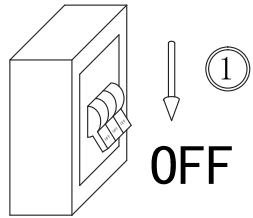




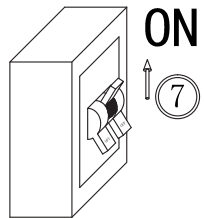
**FREYA**  
TRADITION OF QUALITY

# INSTRUCTION

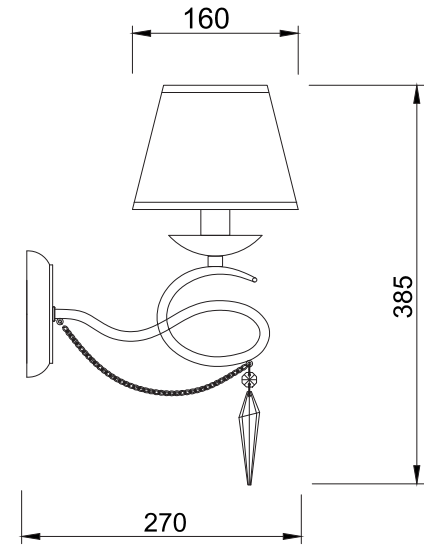
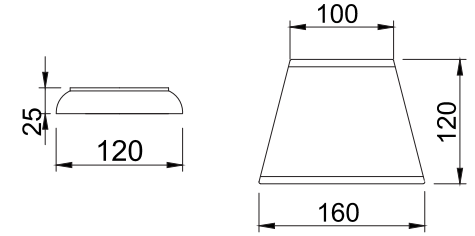
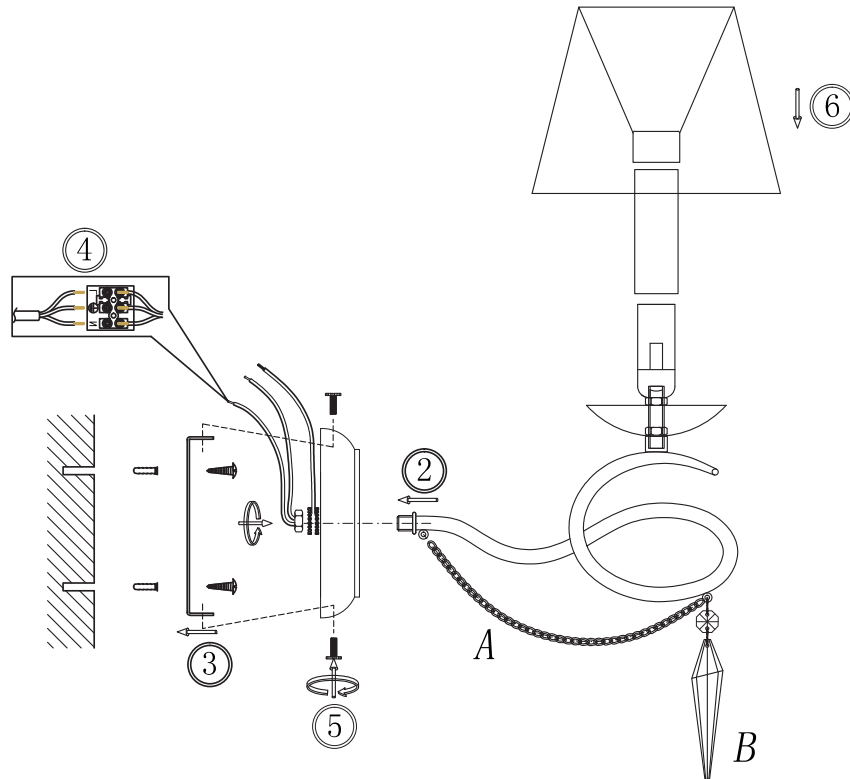
**MODEL: FR2909-WL-01-CH**



**OFF**



**ON**



1 X E14 (40W)

FREYA-LIGHT.COM